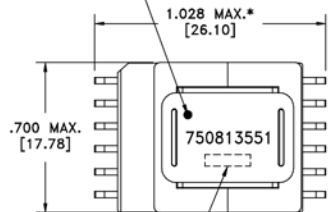
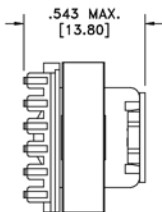
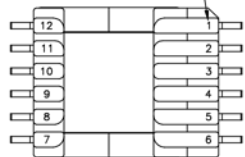


| | | |
|-------------------|------|---------------|
| CUSTOMER TERMINAL | RoHS | LEAD(Pb)-FREE |
| Sn96%, Ag4% | Yes | Yes |

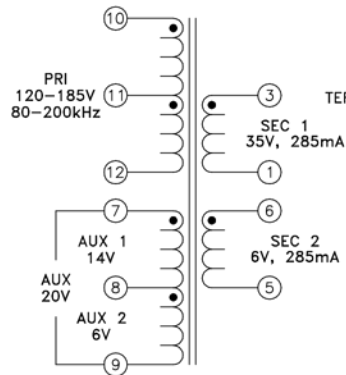


* DIMENSION MAY BE EXCEEDED WITH SOLDER ONLY
DOT LOCATES TERM. #1

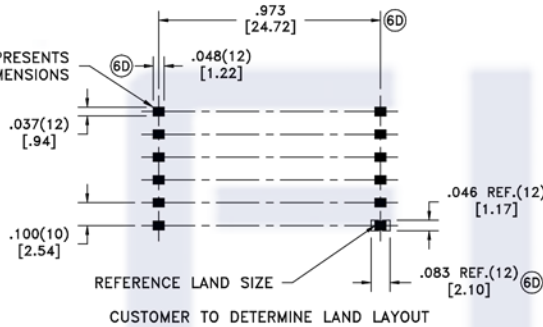
TERM. NO.'s FOR REF. ONLY



LOT CODE & DATE CODE



AREA REPRESENTS
TERMINAL PAD DIMENSIONS



REFERENCE LAND SIZE
CUSTOMER TO DETERMINE LAND LAYOUT

ELECTRICAL SPECIFICATIONS @ 25°C unless otherwise noted:

| PARAMETER | TEST CONDITIONS | VALUE |
|--------------------|--|----------------------|
| D.C. RESISTANCE | 10-12 @20°C | 2.65 ohms ±10% |
| D.C. RESISTANCE | 7-8 @20°C | 0.700 ohms ±10% |
| D.C. RESISTANCE | 8-9 @20°C | 0.335 ohms ±10% |
| D.C. RESISTANCE | 3-1 @20°C | 0.258 ohms ±10% |
| D.C. RESISTANCE | 6-5 @20°C | 0.061 ohms ±20% |
| INDUCTANCE | 10-12 10kHz, 100mVAC, Ls | 1.50mH ±10% |
| SATURATION CURRENT | 20% rolloff from initial | 620mA |
| LEAKAGE INDUCTANCE | 10-12 tie(1+3+5+6, 7+8+9), 100kHz, 100mVAC, Ls | 13uH typ., 30uH max. |
| DIELECTRIC | 1-12 tie(3+5, 9+10), 3750VAC, 1 second | 3000VAC, 1 minute |
| DIELECTRIC | 7-12 625VAC, 1 second | 500VAC, 1 minute |
| URNS RATIO | (10-11):(11-12) | 1:1, ±1% |
| URNS RATIO | (10-12):(7-8) | 9.85:1, ±1% |
| URNS RATIO | (10-12):(8-9) | 21.33:1, ±1% |
| URNS RATIO | (10-12):(3-1) | 4:1, ±1% |
| URNS RATIO | (10-12):(6-5) | 21.33:1, ±1% |

GENERAL SPECIFICATIONS:

OPERATING TEMPERATURE RANGE: -40°C to +125°C including temp rise.

Designed to comply with the following requirements as defined by IEC60950-1, EN60950-1, UL60950-1/CSA60950-1 and AS/NZS60950.1:

- Reinforced insulation for a primary circuit at a working voltage of 400VDC.

Wire insulation & RoHS status not affected by wire color.
Wire insulation color may vary depending on availability.

| | | | | | | |
|------|------|---------------------------------|--|--|-------------------------------------|--------------------------|
| REV. | DATE | Packaging Specifications | | Tolerances unless otherwise specified: Angles: ±1° Decimals: ±.005 [.13] Fractions: ±1/64 Footprint: ±.005 [.13] | DRAWING TITLE TRANSFORMER | PART NO. FKS750813551 |
| 6D | 1/12 | Method: Tape & Reel PKG-0799 | | | | |
| 6C | 7/11 | | | | | |
| 6B | 5/11 | | | | | |
| 6A | 4/11 | | | | | |

