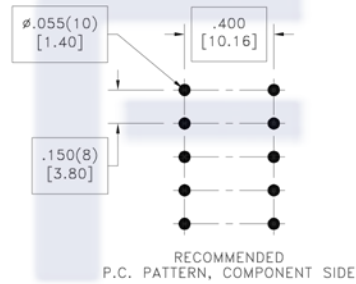
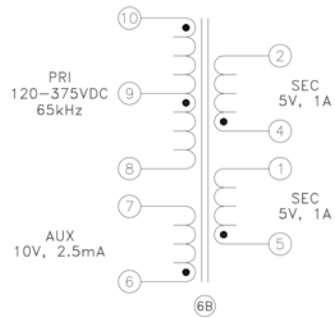
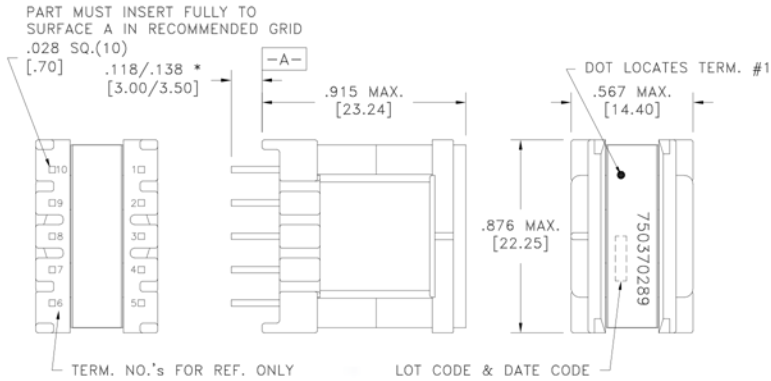


CUSTOMER TERMINAL	RoHS	LEAD(Pb)-FREE
Sn96%, Ag4%	Yes	Yes



\* DIMENSION MAY BE EXCEEDED WITH SOLDER ONLY



ELECTRICAL SPECIFICATIONS @ 25°C unless otherwise noted:

PARAMETER	TEST CONDITIONS	VALUE
D.C. RESISTANCE	10-8 @20°C	1.850 ohms ±10%
D.C. RESISTANCE	2-4 @20°C	0.031 ohms ±20%
D.C. RESISTANCE	1-5 @20°C	0.036 ohms ±20%
D.C. RESISTANCE	7-6 @20°C	0.160 ohms ±20%
INDUCTANCE	10-8 10kHz, 100mVAC, Ls	1.70mH ±5%
SATURATION CURRENT	10-8 20% rolloff from initial	800mA
LEAKAGE INDUCTANCE	10-8 tie(2+4+6+7), 100kHz, 100mVAC, Ls	23uH typ., 34uH max.
DIELECTRIC	10-2 tie(7+8, 4+5), 3750VAC, 1 second	3000VAC, 1 minute
DIELECTRIC	10-Core tie(7+8), 1875VAC, 1 second	1500VAC, 1 minute
URNS RATIO	(10-9):(9-8)	2:1, ±1%
URNS RATIO	(10-8):(4-2)	15:1, ±1%
URNS RATIO	(10-8):(5-1)	15:1, ±1%
URNS RATIO	(10-8):(6-7)	6.67:1, ±1%

GENERAL SPECIFICATIONS:

OPERATING TEMPERATURE RANGE: -40°C to +125°C including temp rise.

Designed to comply with the following requirements as defined by IEC60950-1, EN60950-1, UL60950-1/CSA60950-1 and AS/NZS60950.1:  
 - Reinforced insulation for a primary circuit at a working voltage of 265Vrms, 540Vpeak, Overvoltage Category II.

Wire insulation & RoHS status not affected by wire color.  
 Wire insulation color may vary depending on availability.

REV.	DATE	Packaging Specifications Method: Tray PKG-0846		Tolerances unless otherwise specified: Angles: ±1° Fractions: ±1/64 Decimals: ±.005 [.13] Footprint: ±.001 [.03]	DRAWING TITLE <b>TRANSFORMER</b>	PART NO. FKS750370289
6B	4/17			This drawing is dual dimensioned. Dimensions in brackets are in millimeters.	eiSos p/n: FKS750370289	
6A	9/16					SPECIFICATION SHEET 1 OF 1