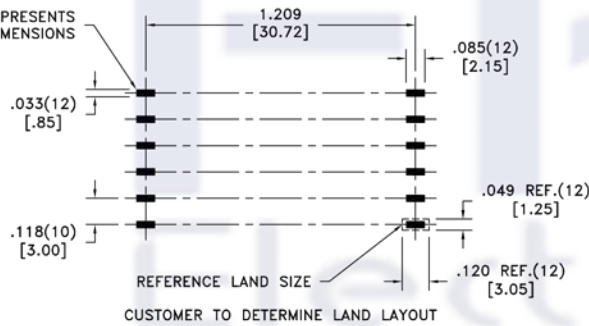
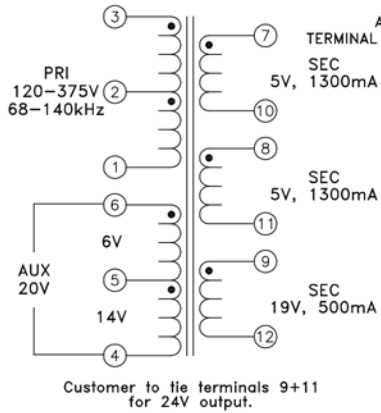
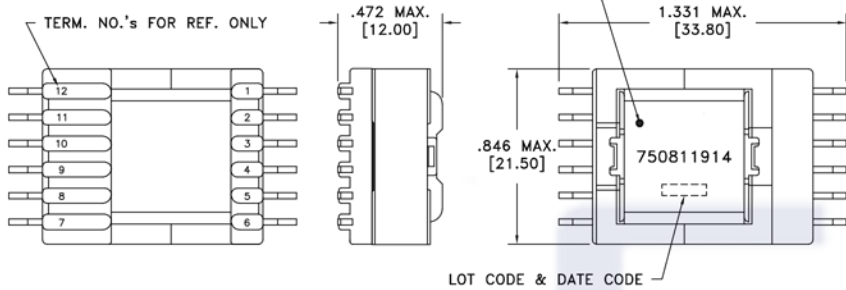
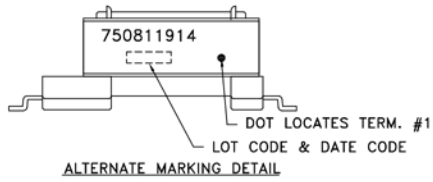


CUSTOMER TERMINAL	RoHS	LEAD(Pb)-FREE
Sn96%, Ag4%	Yes	Yes



**ELECTRICAL SPECIFICATIONS @ 25°C unless otherwise noted:**

PARAMETER	TEST CONDITIONS	VALUE
D.C. RESISTANCE	1-3 @20°C	1.580 ohms ±10%
D.C. RESISTANCE	4-5 @20°C	0.210 ohms ±10%
D.C. RESISTANCE	5-6 @20°C	0.097 ohms ±10%
D.C. RESISTANCE	7-10 @20°C	0.022 ohms ±20%
D.C. RESISTANCE	8-11 @20°C	0.022 ohms ±20%
D.C. RESISTANCE	9-12 @20°C	0.142 ohms ±10%
INDUCTANCE	1-3 10kHz, 100mVAC, Ls	800uH ±10%
SATURATION CURRENT	20% rolloff from initial	1.4A
LEAKAGE INDUCTANCE	1-3 tie(4+5+6, 8+10+9+12), 100kHz, 100mVAC, Ls	26uH typ., 39uH max.
DIELECTRIC	1-12 tie(3+4, 7+8+9), 4500VAC, 1 second	4500VAC, 1 minute
DIELECTRIC	1-6 625VAC, 1 second	500VAC, 1 minute
TURNS RATIO	(2-1):(3-2)	1:1, ±1%
TURNS RATIO	(3-1):(8-11)	25:1, ±1%
TURNS RATIO	(3-1):(7-10)	25:1, ±1%
TURNS RATIO	(3-1):(9-12)	7.142:1, ±1%
TURNS RATIO	(3-1):(6-5)	20:1, ±1%
TURNS RATIO	(3-1):(5-4)	9.09:1, ±1%

**GENERAL SPECIFICATIONS:**

OPERATING TEMPERATURE RANGE: -40°C to +125°C including temp rise.

Designed to comply with the following requirements as defined by IEC61558-2-16:  
- Reinforced insulation for a primary circuit at a working voltage of 400VDC.

Wire insulation & RoHS status not affected by wire color.  
Wire insulation color may vary depending on availability.

REV.	DATE	Packaging Specifications Method: Tape & Reel PKG-0927		Tolerances unless otherwise specified: Angles: ±1° Fractions: ±1/64 Decimals: ±.005 [.13] Footprint: ±.005 [.13]	DRAWING TITLE <b>TRANSFORMER</b>	PART NO. FKS750811914
6A	6/13			This drawing is dual dimensioned. Dimensions in brackets are in millimeters.	eiSos p/n: FKS750811914	SPECIFICATION SHEET 1 OF 1