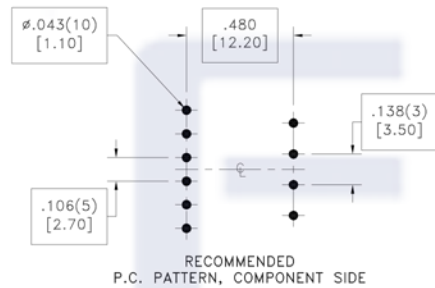
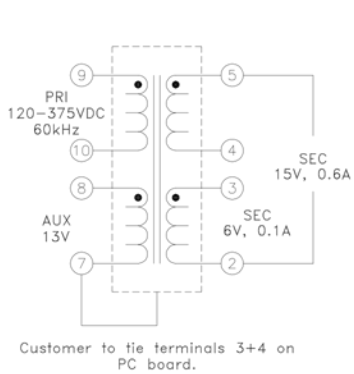
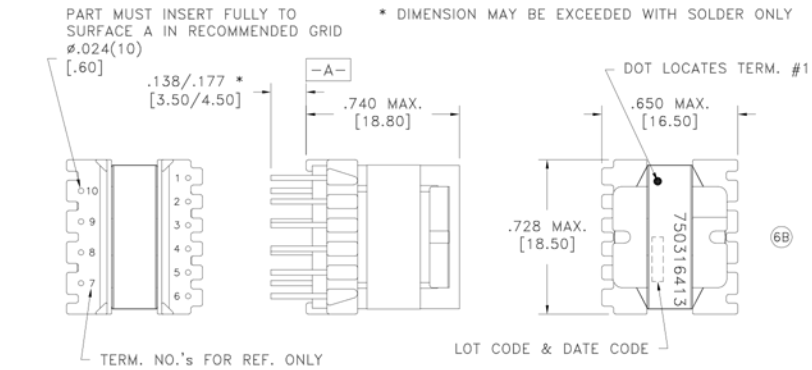


CUSTOMER TERMINAL	RoHS	LEAD(Pb)-FREE
Sn96%, Ag4%	Yes	Yes



ELECTRICAL SPECIFICATIONS @ 25°C unless otherwise noted:

PARAMETER	TEST CONDITIONS	VALUE
D.C. RESISTANCE	9-10 @20°C	2.600 ohms $\pm 10\%$
D.C. RESISTANCE	8-7 @20°C	1.100 ohms $\pm 10\%$
D.C. RESISTANCE	3-2 @20°C	0.058 ohms $\pm 10\%$
D.C. RESISTANCE	4-5 @20°C	0.087 ohms $\pm 10\%$
INDUCTANCE	9-10 10kHz, 100mVAC, Ls	1.50mH $\pm 10\%$
SATURATION CURRENT	9-10 20% rolloff from initial	0.70A
LEAKAGE INDUCTANCE	9-10 tie(7+8, 2+3+4+5), 100kHz, 100mVAC, Ls	50uH typ., 75uH max.
DIELECTRIC	9-3 tie(8+9, 3+5), 1875VAC, 1 second	1500VAC, 1 minute
URNS RATIO	(9-10):(8-7)	5.38:1, $\pm 1\%$
URNS RATIO	(9-10):(3-2)	11.67:1, $\pm 1\%$
URNS RATIO	(9-10):(5-4)	7.78:1, $\pm 1\%$

GENERAL SPECIFICATIONS:

OPERATING TEMPERATURE RANGE: -40°C to +125°C including temp rise.

Designed to meet functional insulation only.

Wire insulation & RoHS status not affected by wire color.
 Wire insulation color may vary depending on availability.

REV.	DATE	Packaging Specifications Method: Tray PKG-0967		Tolerances unless otherwise specified: Angles: $\pm 1^\circ$ Fractions: $\pm 1/64$	Decimals: $\pm .005$ [.13] Footprint: $\pm .001$ [.03]	DRAWING TITLE TRANSFORMER	PART NO. FKS750316413
6B	7/17			This drawing is dual dimensioned. Dimensions in brackets are in millimeters.		eiSos p/n: FKS750316413	
6A	6/17						SPECIFICATION SHEET 1 OF 1