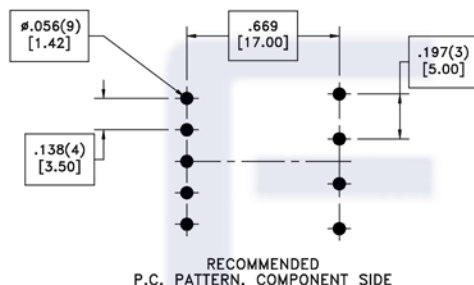
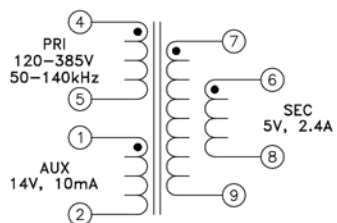
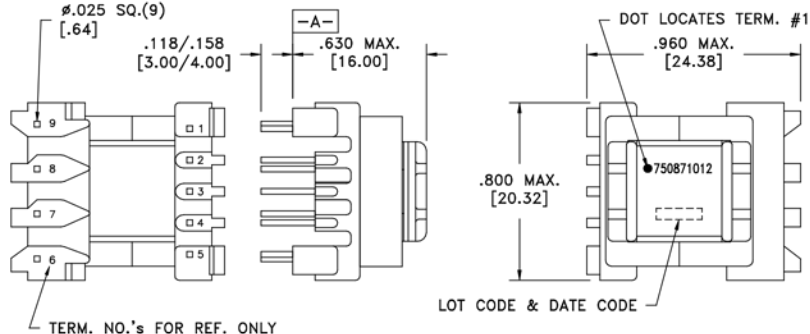


CUSTOMER TERMINAL	RoHS	LEAD(Pb)-FREE
Sn96%, Ag4%	Yes	Yes



PART MUST INSERT FULLY TO SURFACE A IN RECOMMENDED GRID
 Ø.025 SQ.(9)



ELECTRICAL SPECIFICATIONS @ 25°C unless otherwise noted:

PARAMETER	TEST CONDITIONS	VALUE
D.C. RESISTANCE	1-2 @20°C	1.60 ohms max.
D.C. RESISTANCE	4-5 @20°C	5.75 ohms max.
D.C. RESISTANCE	6-8 @20°C	0.050 ohms max.
D.C. RESISTANCE	7-9 @20°C	0.050 ohms max.
INDUCTANCE	4-5 10kHz, 100mVAC, Ls	900uH ±10%
LEAKAGE INDUCTANCE	4-5 tie(1+2, 6+7+8+9), 100kHz, 100mVAC, Ls	15.0uH typ., 25.0uH max.
DIELECTRIC	4-6 tie(1+5, 6+7) 4500VAC, 1 second	4500VAC, 1 minute
DIELECTRIC	1-4 1875VAC, 1 second	1500VAC, 1 minute
URNS RATIO	(4-5):(6-8)	14.75:1, ±1%
URNS RATIO	(4-5):(7-9)	14.75:1, ±1%
URNS RATIO	(4-5):(1-2)	5.363:1, ±1%

GENERAL SPECIFICATIONS:

OPERATING TEMPERATURE RANGE: -40°C to +125°C including temp rise.

Designed to comply with the following requirements as defined by IEC61558-2-17:
 - Reinforced insulation for a primary circuit at a working voltage of 400VDC.

REV.	DATE	Packaging Specifications Method: Tray PKG-0058		Tolerances unless otherwise specified: Angles: ±1° Decimals: ±.005 [.13] Fractions: ±1/64 Footprint: ±.005 [.13]	DRAWING TITLE TRANSFORMER	PART NO. FKS750871012
6A	4/09			This drawing is dual dimensioned. Dimensions in brackets are in millimeters.	eiSos p/n:FKS750871012	SPECIFICATION SHEET 1 OF 1