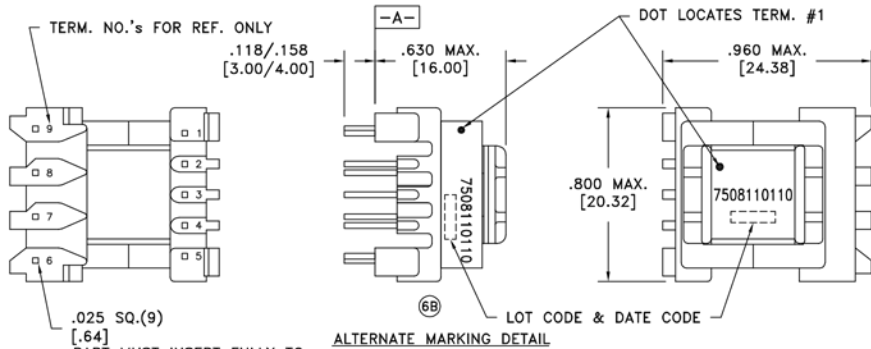
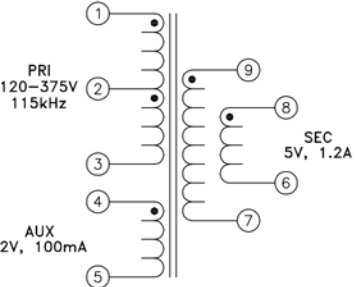


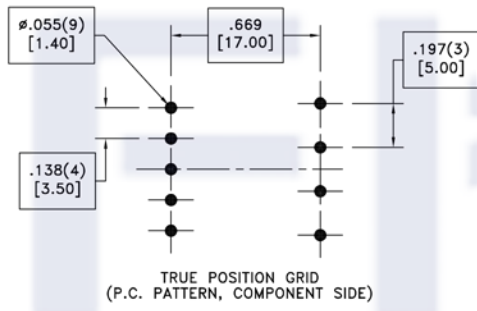
CUSTOMER TERMINAL	RoHS	LEAD(Pb)-FREE
Sn96%, Ag4%	Yes	Yes



TERM. NO.'s FOR REF. ONLY  
 .025 SQ.(9)  
 [.64]  
 PART MUST INSERT FULLY TO SURFACE A IN TRUE POSITION GRID



ALTERNATE MARKING DETAIL



ELECTRICAL SPECIFICATIONS @ 25°C unless otherwise noted:

PARAMETER	TEST CONDITIONS	VALUE
D.C. RESISTANCE	1-3 @20°C	1.71 ohms ±10%
D.C. RESISTANCE	4-5 @20°C	0.326 ohms ±10%
D.C. RESISTANCE	6-9 tie(6+7, 8+9), @20°C	0.023 ohms ±20%
INDUCTANCE	1-3 10kHz, 100mVAC, Ls	1.23mH ±10%
SATURATION CURRENT	20% rolloff from initial	600mA
LEAKAGE INDUCTANCE	1-3 tie(4+5, 6+7+8+9), 100kHz, 100mVAC, Ls	13uH typ., 36uH max.
DIELECTRIC	1-9 tie(3+4, 8+9), 3750VAC, 1 second	3000VAC, 1 minute
DIELECTRIC	1-5 625VAC, 1 second	500VAC, 1 minute
TURNS RATIO	(1-3):(4-5)	6.562:1, ±1%
TURNS RATIO	(1-3):(9-7)	15:1, ±1%
TURNS RATIO	(1-3):(8-6)	15:1, ±1%

GENERAL SPECIFICATIONS:

OPERATING TEMPERATURE RANGE: -40°C to +125°C including temp rise.

- ⑥B Designed to comply with the following requirements as defined by 61558-2-16:
  - Reinforced insulation for a primary circuit at a working voltage of 400VDC.

Wire insulation & RoHS status not affected by wire color.  
 Wire insulation color may vary depending on availability.

REV.	DATE	Packaging Specifications Method: Tray PKG-0735		Tolerances unless otherwise specified: Angles: ±1° Fractions: ±1/64 Decimals: ±.005 [.13] Footprint: ±.001 [.03]	DRAWING TITLE <b>TRANSFORMER</b>	PART NO. FKS7508110110
6B	6/12			This drawing is dual dimensioned. Dimensions in brackets are in millimeters.	eiSos p/n: FKS7508110110	
6A	5/11					SPECIFICATION SHEET 1 OF 1

