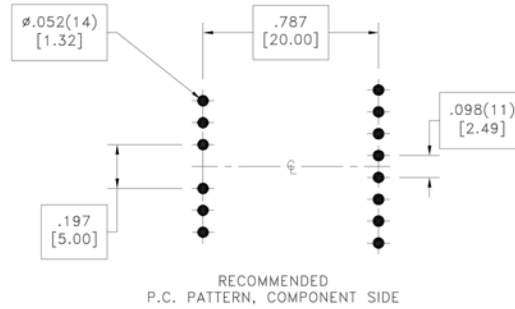
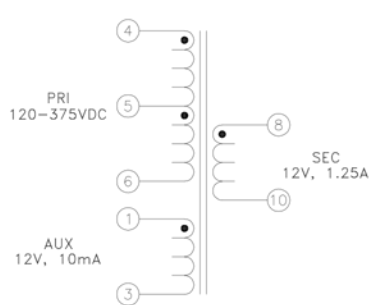
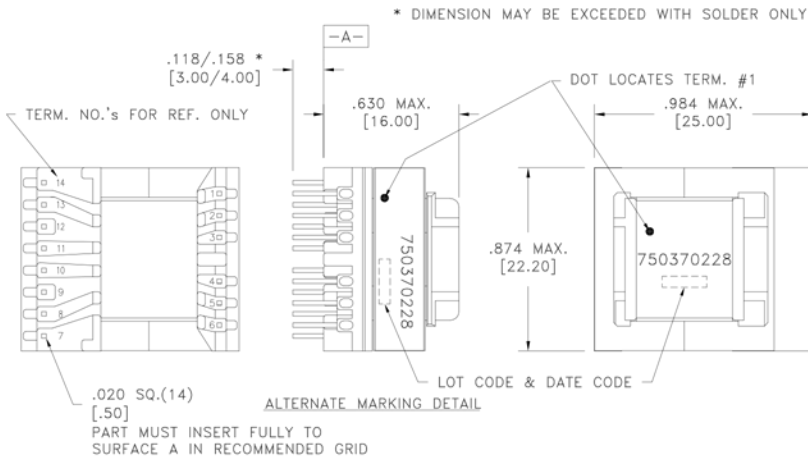


CUSTOMER TERMINAL	RoHS	LEAD(Pb)-FREE
Sn96%, Ag4%	Yes	Yes



ELECTRICAL SPECIFICATIONS @ 25°C unless otherwise noted:

PARAMETER	TEST CONDITIONS	VALUE
D.C. RESISTANCE	4-6 @20°C	2.710 ohms ±10%
D.C. RESISTANCE	8-10 @20°C	0.069 ohms ±10%
D.C. RESISTANCE	1-3 @20°C	0.375 ohms ±10%
INDUCTANCE	4-6 10kHz, 100mVAC, Ls	1.500mH ±10%
SATURATION CURRENT	20% rolloff from initial	1.325A
LEAKAGE INDUCTANCE	4-6 tie(8+10, 1+3), 100kHz, 100mVAC, Ls	36uH typ., 72uH max.
⑥ DIELECTRIC	6-10 tie(3+4), 4000VAC, 1 second	3900VAC, 1 minute
DIELECTRIC	6-1 625VAC, 1 second	-
URNS RATIO	(4-5):(5-6)	1:1, ±1%
URNS RATIO	(4-6):(8-10)	8:1, ±1%
URNS RATIO	(4-6):(1-3)	8:1, ±1%

GENERAL SPECIFICATIONS:

OPERATING TEMPERATURE RANGE: -40°C to +125°C including temp rise.

- ⑥ Designed to comply with the following requirements as defined by IEC60950-1, EN60950-1, UL60950-1/CSA60950-1, AS/NZS60950.1, IEC61558-2-16 and EN61558-2-16 Amendment 1:
- Reinforced insulation for a primary circuit at a working voltage of 265Vrms, 400Vpeak (operating frequency of <2MHz).

Wire insulation & RoHS status not affected by wire color.
Wire insulation color may vary depending on availability.

REV.	DATE	Packaging Specifications Method: Tray PKG-0736		Tolerances unless otherwise specified: Angles: ±1° Fractions: ±1/64 Decimals: ±.005 [.13] Footprint: ±.001 [.03]	DRAWING TITLE TRANSFORMER	PART NO. FKS750370228
6B	11/15			This drawing is dual dimensioned. Dimensions in brackets are in millimeters.	eiSos p/n: FKS750370228	
6A	3/15					SPECIFICATION SHEET 1 OF 1