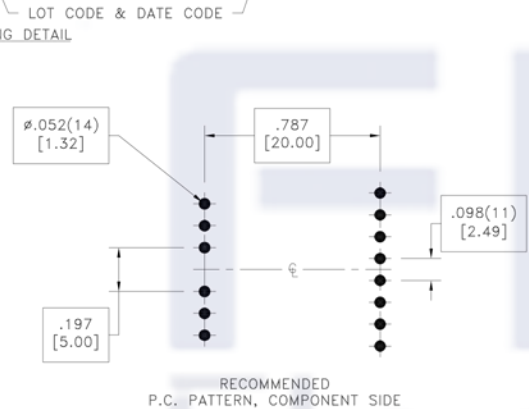
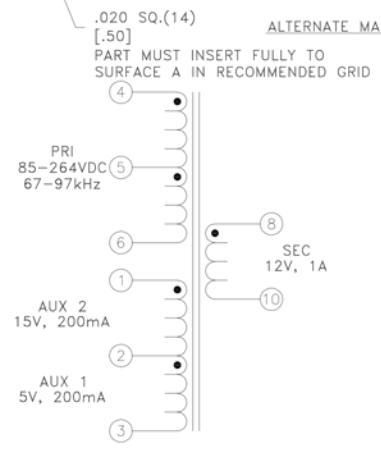
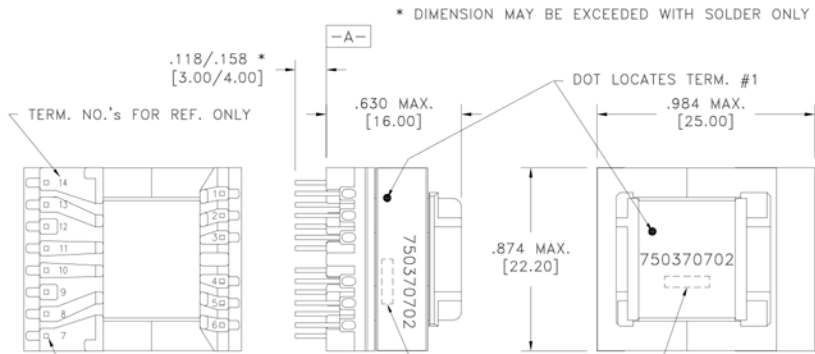


CUSTOMER TERMINAL	RoHS	LEAD(Pb)-FREE
Sn96%, Ag4%	Yes	Yes



ELECTRICAL SPECIFICATIONS @ 25°C unless otherwise noted:

PARAMETER	TEST CONDITIONS	VALUE
D.C. RESISTANCE	4-6 @20°C	2.951 ohms ±10%
D.C. RESISTANCE	8-10 @20°C	0.108 ohms ±10%
D.C. RESISTANCE	1-3 @20°C	0.263 ohms ±10%
INDUCTANCE	4-6 10kHz, 100mVAC, Ls	1.50mH ±10%
SATURATION CURRENT	4-6 20% rolloff from initial	1.2A
LEAKAGE INDUCTANCE	4-6 tie(1+2+3, 8+10), 100kHz, 100mVAC, Ls	22uH typ., 30uH max.
DIELECTRIC	6-8 tie(3+4), 4000VAC, 1 second	3200VAC, 1 minute
DIELECTRIC	1-6 1250VAC, 1 second	-
URNS RATIO	(4-6):(8-10)	5.6:1, ±1%
URNS RATIO	(4-6):(2-3)	10.77:1, ±1%
URNS RATIO	(4-6):(1-2)	7:1, ±1%
URNS RATIO	(4-5):(5-6)	1:1, ±1%

GENERAL SPECIFICATIONS:

OPERATING TEMPERATURE RANGE: -40°C to +125°C including temp rise.

Designed to comply with the following requirements as defined by IEC60950-1, EN60950-1, UL60950-1/CSA60950-1 and AS/NZS60950.1:

- Reinforced insulation for a primary circuit at a working voltage of 265Vrms, 400Vpeak, Overvoltage Category II.

Wire insulation & RoHS status not affected by wire color.
Wire insulation color may vary depending on availability.

REV.	DATE	Packaging Specifications Method: Tray PKG-0736		Tolerances unless otherwise specified: Angles: ±1° Fractions: ±1/64 Decimals: ±.005 [.13] Footprint: ±.001 [.03]	DRAWING TITLE TRANSFORMER	PART NO. FKS750370702
6A	1/17		CONVENTION PLACEMENT	This drawing is dual dimensioned. Dimensions in brackets are in millimeters.	eiSos p/n: FKS750370702	SPECIFICATION SHEET 1 OF 1