

| | | |
|-------------------|------|---------------|
| CUSTOMER TERMINAL | RoHS | LEAD(Pb)-FREE |
| Sn96%, Ag4% | Yes | Yes |



ELECTRICAL SPECIFICATIONS @ 25°C unless otherwise noted:

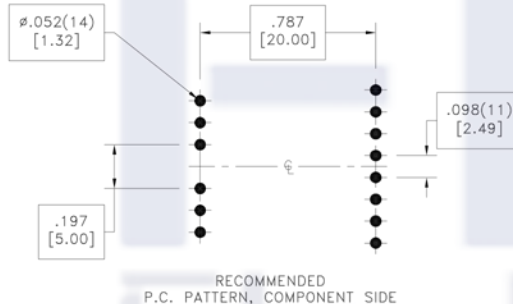
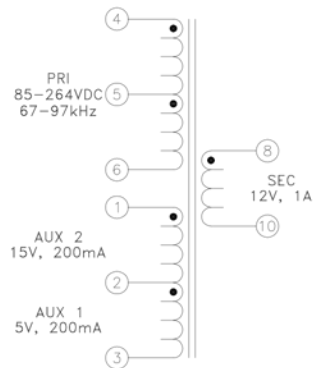
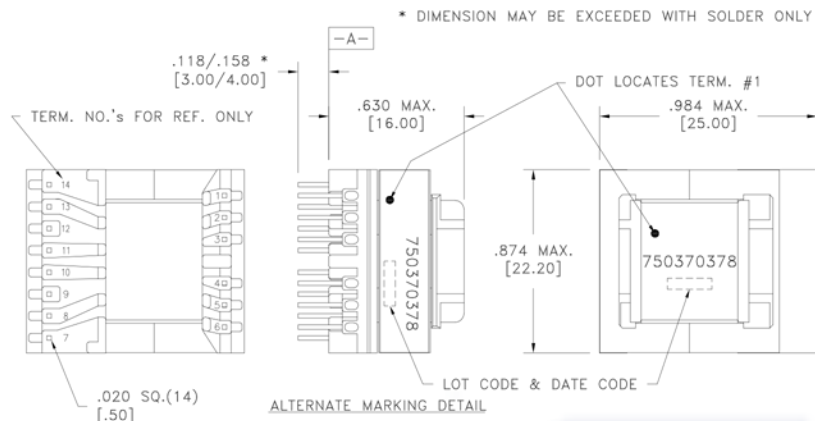
| PARAMETER | TEST CONDITIONS | VALUE |
|--------------------|--|----------------------|
| 6B D.C. RESISTANCE | 4-6 @20°C | 2.95 ohms ±10% |
| 6B D.C. RESISTANCE | 8-10 @20°C | 0.104 ohms ±10% |
| D.C. RESISTANCE | 1-3 @20°C | 0.490 ohms ±10% |
| INDUCTANCE | 4-6 10kHz, 100mVAC, Ls | 1.5mH ±10% |
| SATURATION CURRENT | 4-6 20% rolloff from initial | 1.2A |
| LEAKAGE INDUCTANCE | 4-6 tie(1+2+3+8+10), 100kHz, 100mVAC, Ls | 22uH typ., 30uH max. |
| DIELECTRIC | 6-8 tie(3+4), 4000VAC, 1 second | 3200VAC, 1 minute |
| DIELECTRIC | 1-6 1250VAC, 1 second | - |
| URNS RATIO | (4-6):(8-10) | 5.6:1, ±1% |
| URNS RATIO | (4-6):(2-3) | 10.77:1, ±1% |
| URNS RATIO | (4-6):(1-2) | 7:1, ±1% |
| URNS RATIO | (5-6):(4-5) | 1:1, ±1% |

GENERAL SPECIFICATIONS:

OPERATING TEMPERATURE RANGE: -40°C to +125°C including temp rise.

Designed to comply with the following requirements as defined by IEC60950-1, EN60950-1, UL60950-1/CSA60950-1 and AS/NZS60950.1:

- Reinforced insulation for a primary circuit at a working voltage of 265Vrms, 400Vpeak, Overvoltage Category II.



Wire insulation & RoHS status not affected by wire color.
Wire insulation color may vary depending on availability.

| | | | | | | |
|------|------|--|--|--|-------------------------------------|----------------------------|
| REV. | DATE | Packaging Specifications Method: Tray PKG-0736 | | Tolerances unless otherwise specified: Angles: ±1° Fractions: ±1/64 Decimals: ±.005 [.13] Footprint: ±.001 [.03] | DRAWING TITLE TRANSFORMER | PART NO. FKS750370378 |
| 6B | 3/16 | | | This drawing is dual dimensioned. Dimensions in brackets are in millimeters. | eiSos p/n: FKS750370378 | |
| 6A | 1/16 | | | | | SPECIFICATION SHEET 1 OF 1 |