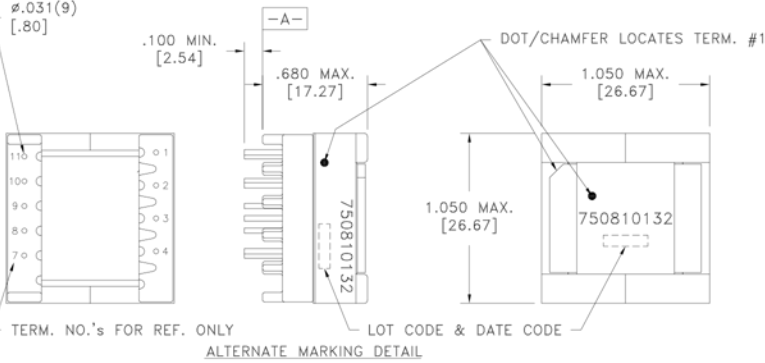


CUSTOMER TERMINAL	RoHS	LEAD(Pb)-FREE
Sn96%, Ag4%	Yes	Yes

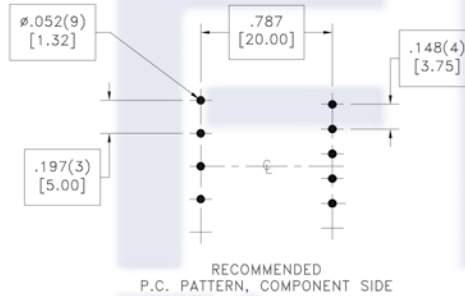
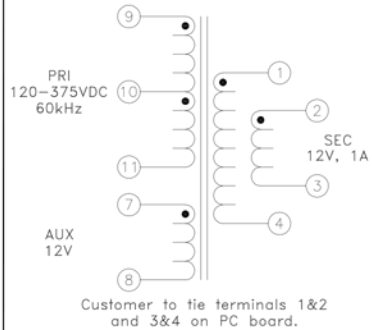


PART MUST INSERT FULLY TO SURFACE A IN RECOMMENDED GRID
 $\phi.031(9)$
 [.80]



ELECTRICAL SPECIFICATIONS @ 25°C unless otherwise noted:

PARAMETER	TEST CONDITIONS	VALUE
D.C. RESISTANCE	9-11 @20°C	2.250 ohms ±10%
D.C. RESISTANCE	7-8 @20°C	0.750 ohms ±10%
D.C. RESISTANCE	1-4 tie(1+2, 3+4), @20°C	0.065 ohms ±10%
INDUCTANCE	9-11 10kHz, 100mVAC, Ls	1.60mH ±10%
SATURATION CURRENT	9-11 20% rolloff from initial	1A
LEAKAGE INDUCTANCE	9-11 tie(7+8, 1+2+3+4), 100kHz, 100mVAC, Ls	10uH typ., 15uH max.
DIELECTRIC	11-1 tie(8+9, 1+2), 2000VAC, 1 second	2000VAC, 1 minute
URNS RATIO	(9-11):(7-8)	5.89:1, ±1%
URNS RATIO	(9-11):(1-4), tie(1+2, 3+4)	5.89:1, ±1%



GENERAL SPECIFICATIONS:

OPERATING TEMPERATURE RANGE: -40°C to +125°C including temp rise.

Designed to comply with the following requirements as defined by IEC60950-1, EN60950-1, UL60950-1/CSA60950-1 and AS/NZS60950.1:
 - Functional insulation for a primary circuit at a working voltage of 265Vrms, 400Vpeak, Overvoltage Category II.

Wire insulation & RoHS status not affected by wire color.
 Wire insulation color may vary depending on availability.

DETAILS SUBJECT TO CHANGE

REV.	DATE	Packaging Specifications Method: Tray PKG-0819		Tolerances unless otherwise specified: Angles: $\pm 1^\circ$ Fractions: $\pm 1/64$ Decimals: $\pm .005$ [.13] Footprint: $\pm .001$ [.03]	DRAWING TITLE TRANSFORMER	PART NO. FKS750810132
6A	7/16		CONVENTION PLACEMENT	This drawing is dual dimensioned. Dimensions in brackets are in millimeters.	eiSos p/n: FKS750810132	SPECIFICATION SHEET 1 OF 1