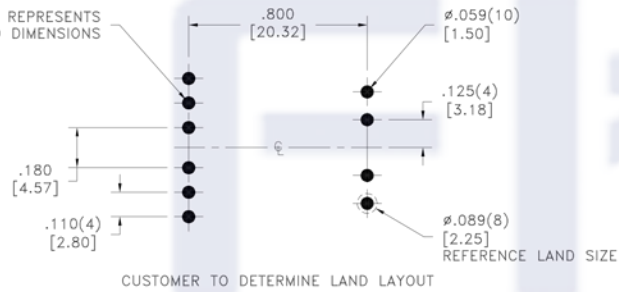
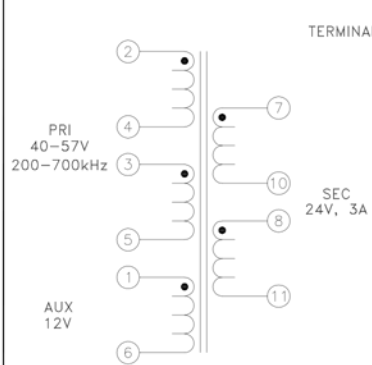
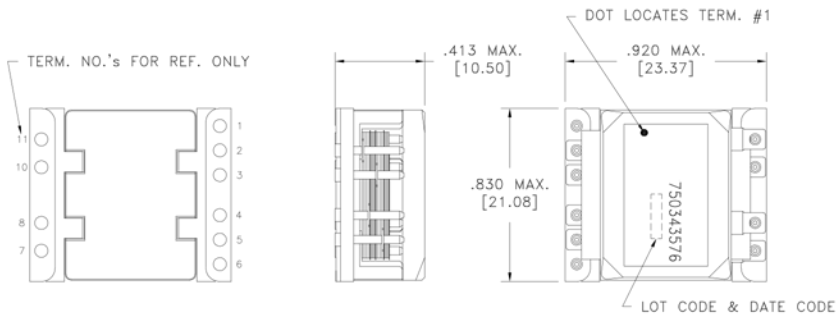


CUSTOMER TERMINAL	RoHS	LEAD(Pb)-FREE
Au100%	Yes	Yes



ELECTRICAL SPECIFICATIONS @ 25°C unless otherwise noted:

PARAMETER	TEST CONDITIONS	VALUE
D.C. RESISTANCE	2-4 @20°C	5.5 mOhms max.
D.C. RESISTANCE	3-5 @20°C	5.5 mOhms max.
D.C. RESISTANCE	7-10 @20°C	9.5 mOhms max.
D.C. RESISTANCE	8-11 @20°C	9.5 mOhms max.
D.C. RESISTANCE	1-6 @20°C	110 mOhms max.
INDUCTANCE	2-5 tie(3+4), 10kHz, 1.0VAC, Ls	100.0uH ±20%
LEAKAGE INDUCTANCE	2-5 tie(3+4, 7+8+10+11+1+6), 100kHz, 100mVAC, Ls	0.300uH max.
DIELECTRIC	2-7 tie(1+2+3, 8+10), 2250VDC, 1 second	-
TURNS RATIO	(3-5):(2-4)	1:1, ±1%
TURNS RATIO	(3-5):(7-10)	1:1, ±1%
TURNS RATIO	(3-5):(8-11)	1:1, ±1%
TURNS RATIO	(3-5):(1-6)	1:1, ±1%

GENERAL SPECIFICATIONS:
OPERATING TEMPERATURE RANGE: -40°C to +125°C including temp rise.

REV.	DATE	Packaging Specifications
		Method: Tape & Reel PKG-0871
6A	7/17	



Tolerances unless otherwise specified:
Angles: ±1° Decimals: ±.005 [.13]
Fractions: ±1/64 Footprint: ±.005 [.13]

This drawing is dual dimensioned. Dimensions in brackets are in millimeters.

DRAWING TITLE	PART NO.
FKS750343576	FKS750343576
eiSos p/n: FKS750343576	SPECIFICATION SHEET 1 OF 1

