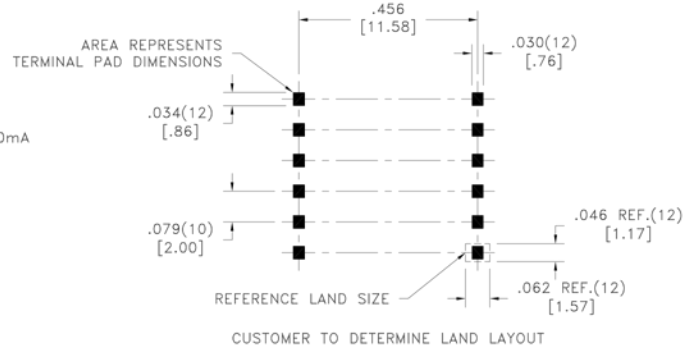
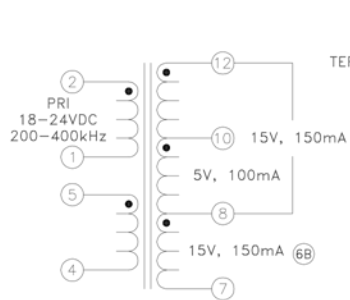
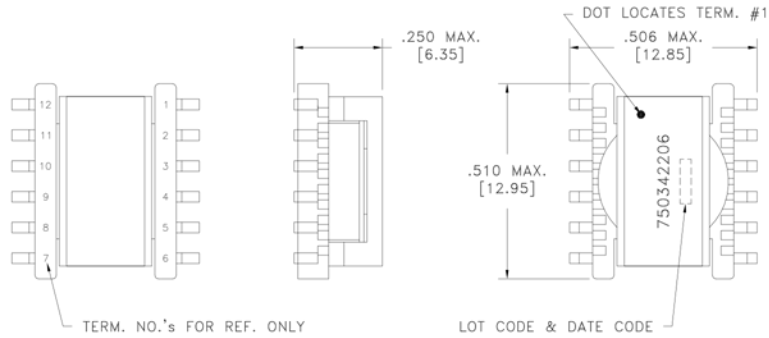


CUSTOMER TERMINAL	RoHS	LEAD(Pb)-FREE
Sn96%, Ag4%	Yes	Yes



ELECTRICAL SPECIFICATIONS @ 25°C unless otherwise noted:

PARAMETER	TEST CONDITIONS	VALUE
D.C. RESISTANCE	2-1 @20°C	0.089 ohms max.
D.C. RESISTANCE	5-4 @20°C	0.163 ohms max.
D.C. RESISTANCE	12-10 @20°C	0.250 ohms max.
D.C. RESISTANCE	10-8 @20°C	0.142 ohms max.
D.C. RESISTANCE	8-7 @20°C	0.462 ohms max.
INDUCTANCE	2-1 50kHz, 100mVAC, Ls	50uH ±15%
DIELECTRIC	5-12 1500VAC, 1 second	-
DIELECTRIC	2-12 tie(5+7), 1500VAC, 1 second	-
URNS RATIO	(8-7):(5-4)	3.2:1, ±2%
URNS RATIO	(8-7):(2-1)	1.6:1, ±2%
URNS RATIO	(8-7):(12-10)	1.6:1, ±2%
URNS RATIO	(8-7):(10-8)	3.2:1, ±2%

GENERAL SPECIFICATIONS:

OPERATING TEMPERATURE RANGE: -40°C to +125°C including temp rise.

Wire insulation & RoHS status not affected by wire color.
Wire insulation color may vary depending on availability.

REV.	DATE	Packaging Specifications Method: Tape & Reel PKG-0757		Tolerances unless otherwise specified: Angles: ±1° Fractions: ±1/64 Decimals: ±.005 [.13] Footprint: ±.005 [.13]	DRAWING TITLE INDUCTOR	PART NO. FKS750342206
6B	7/17			This drawing is dual dimensioned. Dimensions in brackets are in millimeters.	eiSos p/n: FKS750342206	compliant RoHS
6A	8/15					