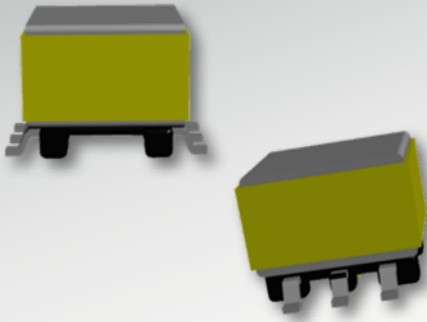


6-Terminal, SMT, Horizontal



Characteristics

- Surface mount
- Pick & placeable
- Core direction: horizontal
- Functional insulation

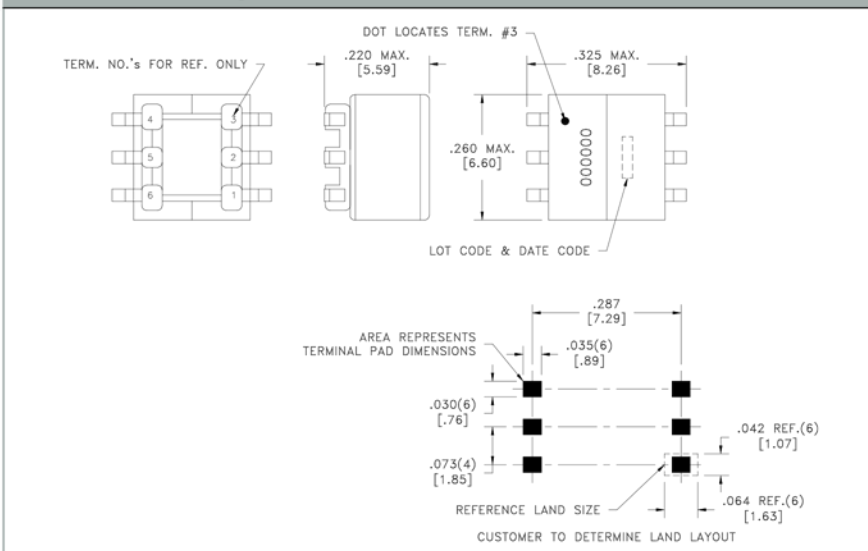
Applications

- DC/DC converter
- Industrial controls
- White goods
- DSL
- Telecom
- CMC

Core Data

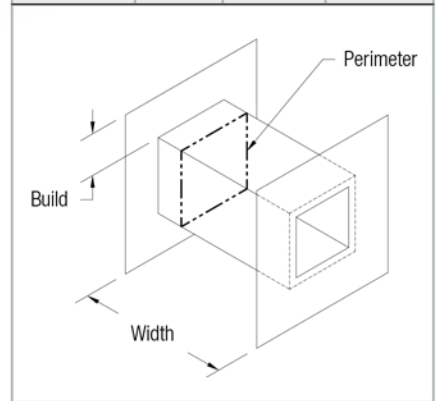
| Core Part Number | | Area (A_c) (mm ²) | Path Length (L_w) (mm) | Volume (V_c) (mm ³) |
|------------------|-------------------|-----------------------------------|----------------------------|-------------------------------------|
| Power: 150-1219 | Digital: 150-1306 | 3.09 | 9.73 | 30.07 |

Dimensions & Footprint

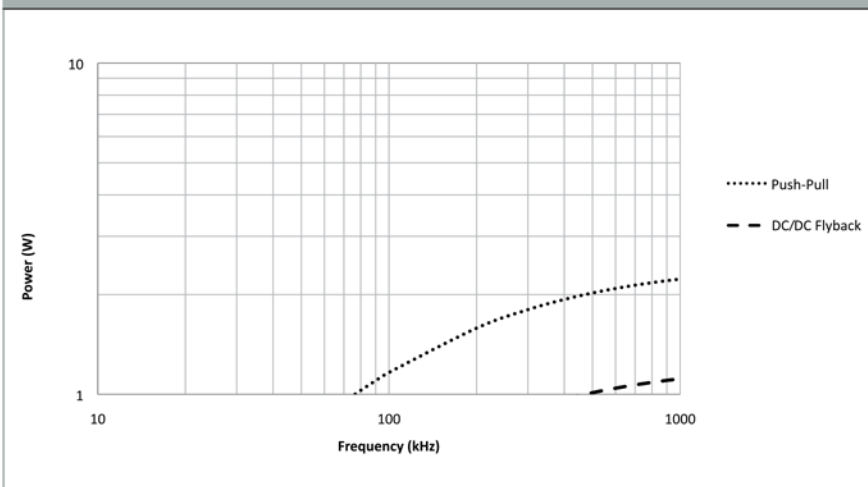


Bobbin Winding Area

| Bobbin Part Number | Width (mm) | Build (mm) | Perimeter (mm) |
|--------------------|------------|------------|----------------|
| 070-4426 | 2.90 | 0.76 | 7.85 |



Estimated Maximum Power Level



Models

- A** Altium Library
- E** Eagle Library
- S** STEP 3D Model
- I** IGS 3D Model
- W** WRL 3D Model