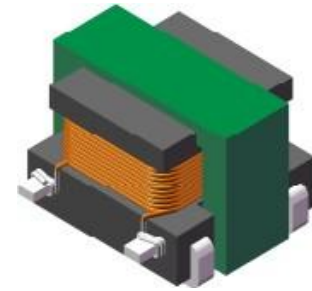


SMTEE4.4 SERIES

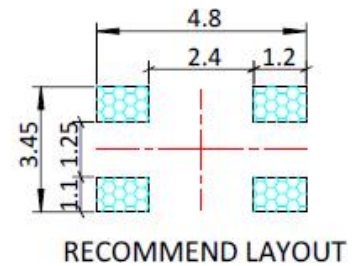
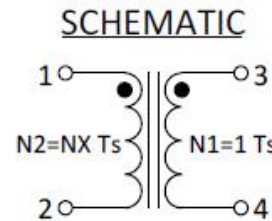
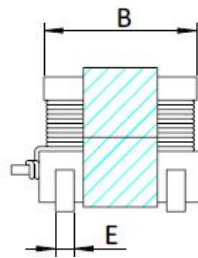
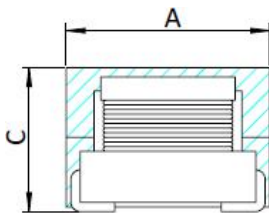
SMT CURRENT SENSE TRANSFORMERS

Applications :

- . Switching power supplies
- . feedback control
- . overload sensing.
- . Load drop/shut down detection



Shape and Dimensions (Dimensions are in mm) :



Item	A MAX.	B MAX.	C MAX.
SMTEE4.4	4.70	3.65	3.55

Item	E
SMTEE4.4	0.4

Features :

- . Very low DC resistance
- . Different turns ratios
- . Very small package
- . RoHS compatible.
- . 500Vrms,one minute isolation(hipot) between windings
- . Sensed Current – primary rated for 7 Amps..

Product Identification :

SMT EE4.4 - 50T - 1T
1 2 3 4

- (1) Type : Surface Mountable Type.
- (2) Style : EE Core with , 4.4 is size..
- (3) Secondary Turn: 50Ts:
- (4) Primary Turn : 1Ts.

Characteristics :

- Primary current of 7 A causes less than 35°C temperature rise from 25°C ambient. Higher current causes a greater temperature rise
- Operating temperature : -40°C to 125°C.
- Storage temperature Component: -40°C to +165°C
- Inductance measured between secondary pins at 100 kHz, 0.1 Vrms, 0 Adc

Test equipments :

- Inductance measured at 0Adc on HP 4284ALCR Meter or equivalent
- DCR measured on Chroma 16502 micro-ohmmeter or equivalent.
- Electrical specifications at 25°C.

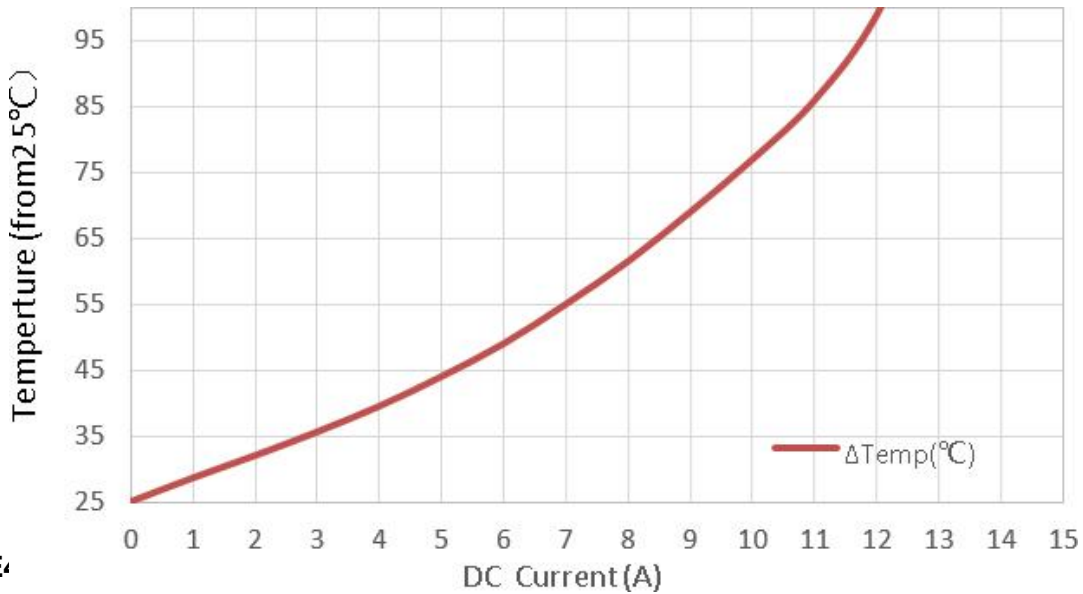
Measuring Frequency :

- SMTEE4.4 @50KHZ TO 1MHZ

● **SMTEE4.4 series**

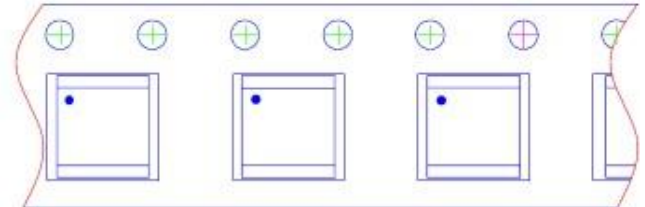
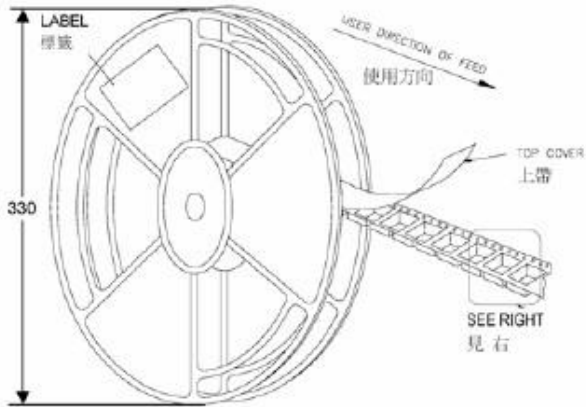
Part No.	Turns ratio sec:pri	Secondary Inductance @100KHZ0.1V (uH)MIN	DCR(Ω)		Sensed Current(A) (Max)
			Sec Max	Pri Ref	
SMTEE4.4-20T-1T	20:1	33	0.35	0.003	7
SMTEE4.4-30T-1T	30:1	74	0.80	0.003	7
SMTEE4.4-40T-1T	40:1	132	1.60	0.003	7
SMTEE4.4-50T-1T	50:1	205	2.50	0.003	7
SMTEE4.4-60T-1T	60:1	295	3.60	0.003	7
SMTEE4.4-70T-1T	70:1	400	4.60	0.003	7
SMTEE4.4-100T-1T	100:1	820	9.50	0.003	7
SMTEE4.4-125T-1T	125:1	1280	13.0	0.003	7
SMTEE4.4-150T-1T	150:1	1800	21.0	0.003	7

● **SMTEE4.4 Temp Rise vs Current :**



● **SMTEE4.4**

Inside Packaging: 5-REEL-330MM/EE4.2

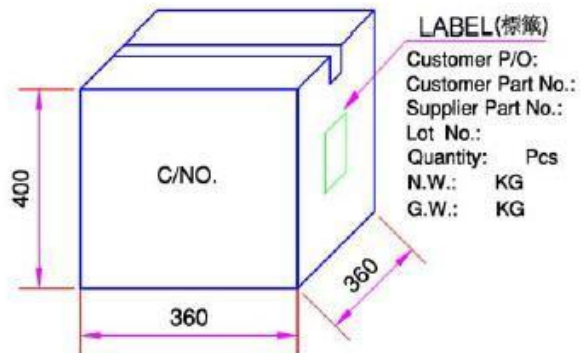
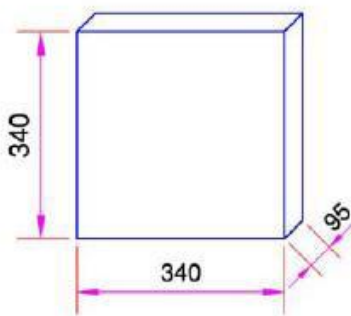


Each reel(每卷) : 2,000 pcs;

Notes of inside packing :

- 1.起始空帶300mm Min ; 結尾空帶400mm Min
- 2.外包1Ts護帶.

Outside Packaging: 5-CT-340934.gif/5-CT-363640.gif



Small carton(內箱): 8,000 pcs; Outer carton(外箱): 32,000 pcs; NW.(淨重): KG; GW.(總重): KG