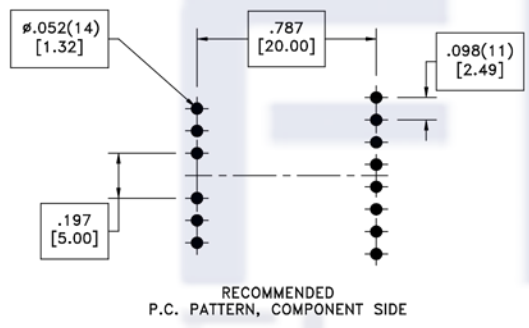
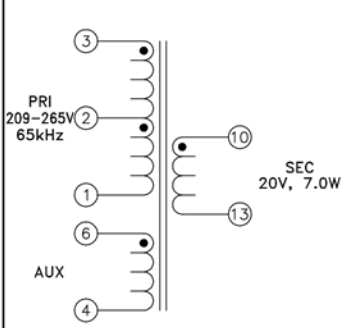
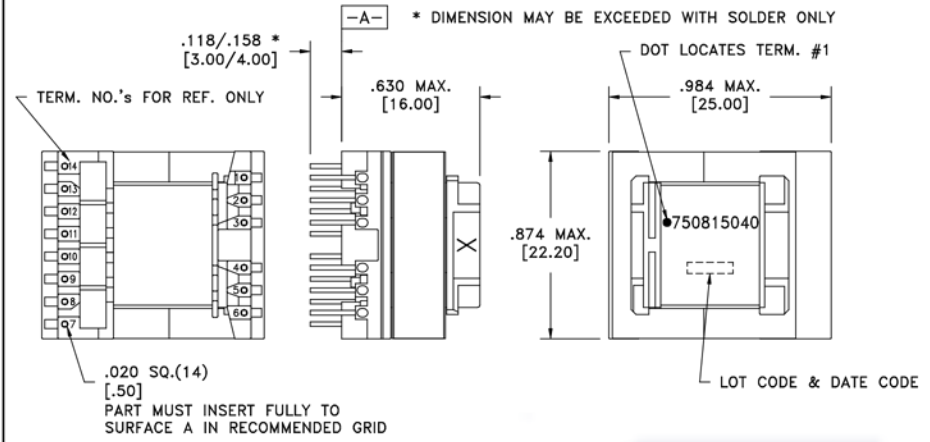


CUSTOMER TERMINAL	RoHS	LEAD(Pb)-FREE
Sn96%, Ag4%	Yes	Yes



ELECTRICAL SPECIFICATIONS @ 25°C unless otherwise noted:

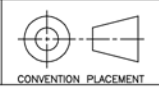
PARAMETER	TEST CONDITIONS	VALUE
D.C. RESISTANCE	3-2 @20°C	0.85 ohms ±10%
D.C. RESISTANCE	2-1 @20°C	1.08 ohms ±10%
D.C. RESISTANCE	3-1 @20°C	1.91 ohms ±10%
D.C. RESISTANCE	6-4 @20°C	0.340 ohms ±10%
D.C. RESISTANCE	10-13 @20°C	0.120 ohms ±10%
INDUCTANCE	3-1 10kHz, 100mVAC, Ls	2.12mH ±10%
SATURATION CURRENT	20% rolloff from initial	750mA
LEAKAGE INDUCTANCE	3-1 tie(6+4, 10+13), 100kHz, 100mVAC, Ls	18.0uH typ., 22.60uH max.
DIELECTRIC	1-13 tie(3+4), 4500VAC, 1 second	4500VAC, 1 minute
TURNS RATIO	(3-1):(2-1)	1:1, ±1%
TURNS RATIO	(3-1):(6-4)	7:1, ±1%
TURNS RATIO	(3-1):(10-13)	5.384:1, ±1%

GENERAL SPECIFICATIONS:

OPERATING TEMPERATURE RANGE: -40°C to +125°C including temp rise.

Designed to comply with the following requirements as defined by IEC61558-2-17:
- Reinforced insulation for a primary circuit at a working voltage of 400VDC.

REV.	DATE	Packaging Specifications
6C	5/11	Method: Tray PKG-0736
6B	2/11	
6A	5/10	



Tolerances unless otherwise specified:
Angles: ±1° Decimals: ±.005 [.13]
Fractions: ±1/64 Footprint: ±.001 [.03]

This drawing is dual dimensioned. Dimensions in brackets are in millimeters.

DRAWING TITLE
TRANSFORMER

eiSos p/n: FKS750815040

PART NO.
FKS750815040

SPECIFICATION SHEET 1 OF 1