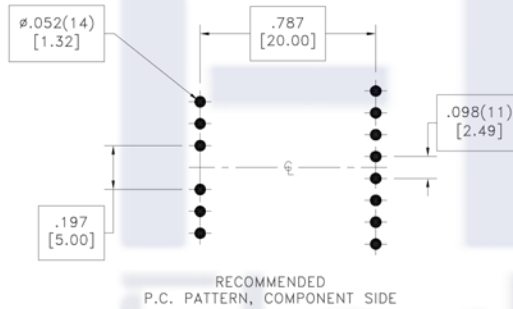
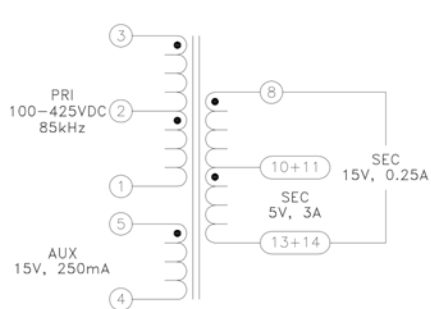
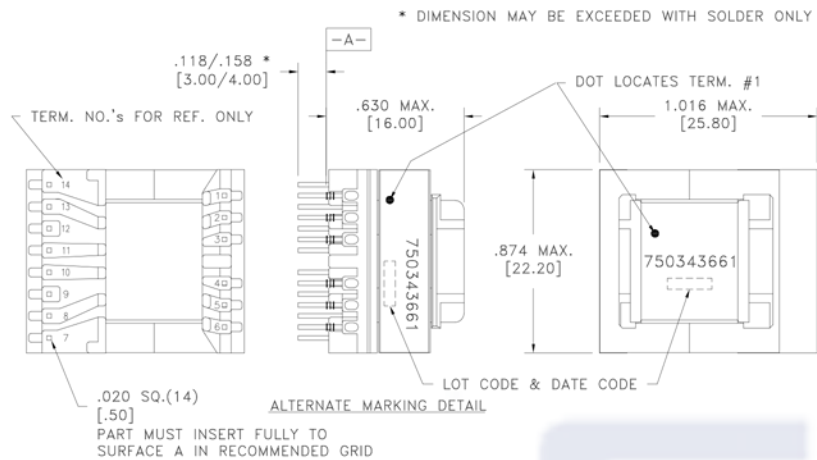


CUSTOMER TERMINAL	RoHS	LEAD(Pb)-FREE
Sn96%, Ag4%	Yes	Yes



ELECTRICAL SPECIFICATIONS @ 25°C unless otherwise noted:

PARAMETER	TEST CONDITIONS	VALUE
D.C. RESISTANCE	1-3 @20°C	0.970 ohms max.
D.C. RESISTANCE	4-5 @20°C	0.095 ohms max.
D.C. RESISTANCE	8-14 tie(10+11, 13+14), @20°C	0.175 ohms max.
D.C. RESISTANCE	10-13 tie(10+11, 13+14), @20°C	0.010 ohms max.
INDUCTANCE	3-1 50kHz, 100mVAC, Ls	500.00uH ±10%
LEAKAGE INDUCTANCE	3-1 tie(4+5, 8+10+11+13+14), 100kHz, 100mV, Ls	10uH max.
DIELECTRIC	14-Core tie(13+14), 3750VAC, 1 second	3000VAC, 1 minute
DIELECTRIC	1-14 tie(3+4 13+4), 3750VAC, 1 second	3000VAC, 1 minute
TURNS RATIO	(3-1):(5-4)	5.82:1, ±2%
TURNS RATIO	(3-1):(18-14), tie(13+14)	5.82:1, ±2%
TURNS RATIO	(3-1):(10-13), tie(10+11, 13+14)	16:1, ±2%

GENERAL SPECIFICATIONS:

OPERATING TEMPERATURE RANGE: -40°C to +125°C including temp rise.

Designed to comply with the following requirements as defined by IEC60950-1, EN60950-1, UL60950-1/CSA60950-1 and AS/NZS60950.1:  
 - Reinforced insulation for a primary circuit at a working voltage of 425Vpeak, Overvoltage Category II.

Customer to tie terminals 10+11 and 13+14 on PC board.

Application of the transformer allows for the leadwires between terminals 10&11 and 13&14 to solder bridge.

Wire insulation & RoHS status not affected by wire color.  
 Wire insulation color may vary depending on availability.

REV.	DATE	Packaging Specifications Method: Tray PKG-0736		Tolerances unless otherwise specified: Angles: ±1° Fractions: ±1/64 Decimals: ±.005 [.13] Footprint: ±.001 [.03]	DRAWING TITLE <b>TRANSFORMER</b>	PART NO. FKS750343661
6A	3/18			This drawing is dual dimensioned. Dimensions in brackets are in millimeters.	eiSos p/n: FKS750343661	compliant RoHS
						SPECIFICATION SHEET 1 OF 1