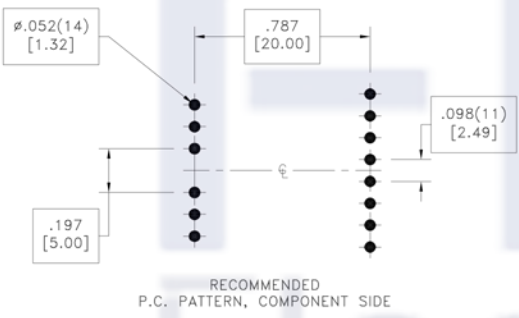
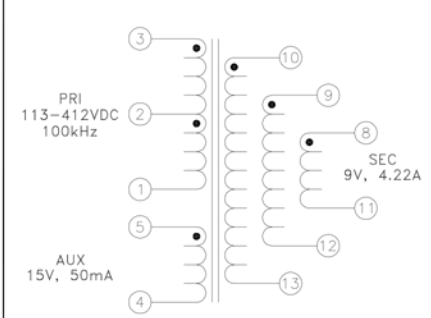
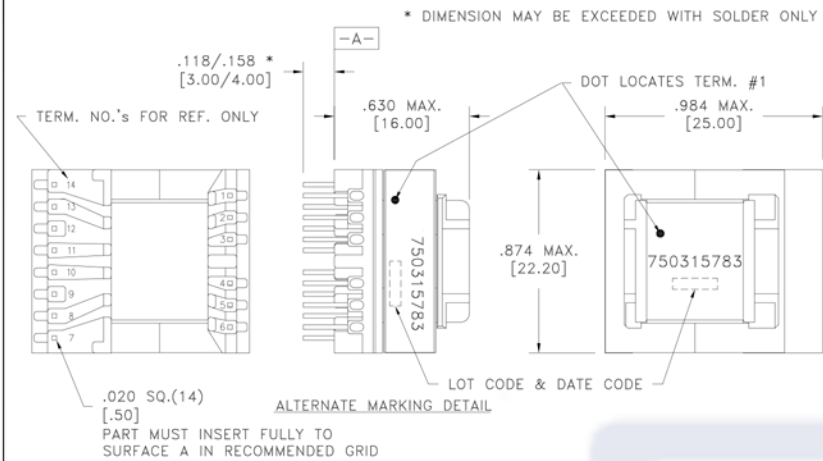


CUSTOMER TERMINAL	RoHS	LEAD(Pb)-FREE
Sn96%, Ag4%	Yes	Yes



Customer to tie terminals 8&9&10 and 11&12&13 on PC board.

ELECTRICAL SPECIFICATIONS @ 25°C unless otherwise noted:

PARAMETER	TEST CONDITIONS	VALUE
D.C. RESISTANCE	3-1 @20°C	0.150 ohms ±10%
D.C. RESISTANCE	5-4 @20°C	0.165 ohms ±10%
D.C. RESISTANCE	10-13 tie(8+9+10, 11+12+13), @20°C	0.010 ohms max.
INDUCTANCE	3-1 10kHz, 100mVAC, Ls	100uH ±10%
SATURATION CURRENT	3-1 20% rolloff from initial	3.3A
LEAKAGE INDUCTANCE	3-1 tie(8+9+10+11+12+13), 100kHz, 100mVAC, Ls	3.7uH typ., 7.4uH max.
DIELECTRIC	1-13 tie(3+4, 8+9+10), 4400VAC, 2 seconds	3510VAC, 1 minute
DIELECTRIC	3-4 625VAC, 1 second	-
URNS RATIO	(3-2):(2-1)	1:1, ±1%
URNS RATIO	(3-1):(5-4)	3.5:1, ±1%
URNS RATIO	(3-1):(10-13) tie(8+9+10, 11+12+13)	7:1, ±1%

GENERAL SPECIFICATIONS:
OPERATING TEMPERATURE RANGE: -40°C to +125°C including temp rise.

Designed to comply with the following requirements as defined by IEC61010-1:
- Reinforced insulation for a primary circuit at a working voltage of 300Vrms, Overvoltage Category III.

Used only at altitudes not more than 2000m above sea level.

Wire insulation & RoHS status not affected by wire color.
Wire insulation color may vary depending on availability.

REV.	DATE	Packaging Specifications Method: Tray PKG-0736		Tolerances unless otherwise specified: Angles: ±1° Fractions: ±1/64 Decimals: ±.005 [.13] Footprint: ±.001 [.03]	DRAWING TITLE TRANSFORMER	PART NO. FKS750315783
6A	9/15		CONVENTION PLACEMENT	This drawing is dual dimensioned. Dimensions in brackets are in millimeters.	eiSos p/n: FKS750315783	SPECIFICATION SHEET 1 OF 1