

CUSTOMER TERMINAL	RoHS	LEAD(Pb)-FREE
Sn96%, Ag4%	Yes	Yes



ELECTRICAL SPECIFICATIONS @ 25°C unless otherwise noted:

PARAMETER	TEST CONDITIONS	VALUE
D.C. RESISTANCE	3-1 @20°C	0.262 ohms ±10%
D.C. RESISTANCE	4-5 @20°C	0.270 ohms ±10%
D.C. RESISTANCE	8-11 @20°C	0.015 ohms max.
D.C. RESISTANCE	10-13 @20°C	0.010 ohms max.
INDUCTANCE	3-1 10kHz, 100mVAC, Ls	250uH ±10%
SATURATION CURRENT	20% rolloff from initial	1.8A
LEAKAGE INDUCTANCE	3-1 tie(4+5, 8 thru 13), 100kHz, 100mVAC, Ls	3.25uH typ., 5.0uH max.
DIELECTRIC	1-13 tie(3+4, 10+11), 4375VAC, 1 second	3500VAC, 1 minute
DIELECTRIC	1-5 625VAC, 1 second	-
URNS RATIO	(3-2):(2-1)	1:1, ±1%
URNS RATIO	(3-1):(5-4)	3.636:1, ±1%
URNS RATIO	(3-1):(10-13)	20:1, ±1%
URNS RATIO	(3-1):(8-11)	8:1, ±1%

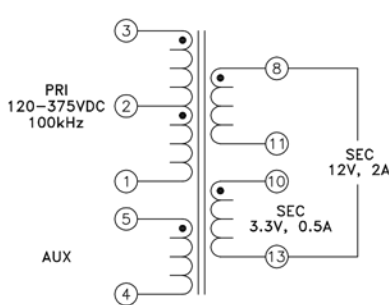
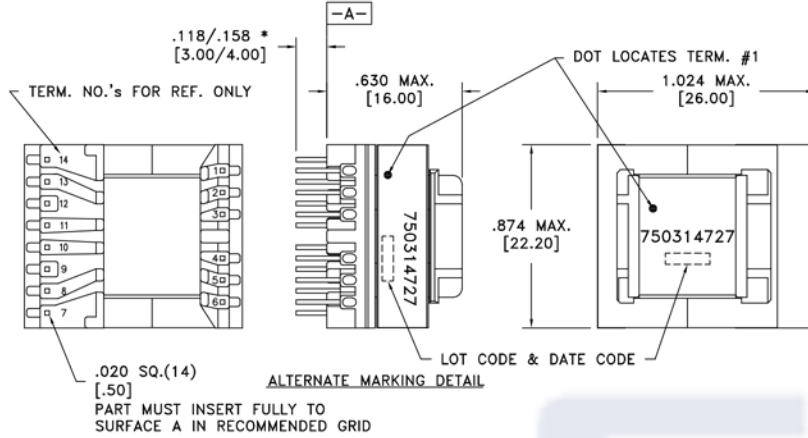
GENERAL SPECIFICATIONS:

OPERATING TEMPERATURE RANGE: -40°C to +125°C including temp rise.

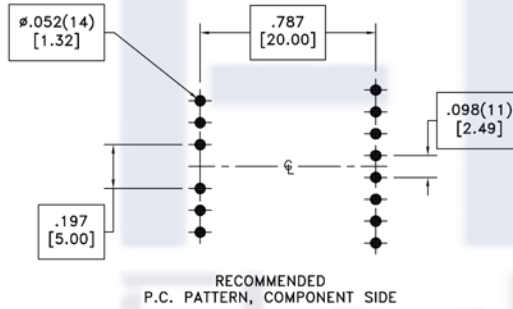
Designed to comply with the following requirements as defined by IEC60950-1, EN60950-1, UL60950-1/CSA60950-1 and AS/NZS60950.1:

- Reinforced insulation for a primary circuit at a working voltage of 400VDC, up to 2000m above sea level.

* DIMENSION MAY BE EXCEEDED WITH SOLDER ONLY



Application of the transformer allows for the leadwires between terminals 10&11 to solder bridge.



Wire insulation & RoHS status not affected by wire color.
Wire insulation color may vary depending on availability.

REV.	DATE
6B	12/14
6A	11/14

Packaging Specifications
Method: Tray
PKG-0736



Tolerances unless otherwise specified:
Angles: ±1° Decimals: ±.005 [.13]
Fractions: ±1/64 Footprint: ±.001 [.03]

This drawing is dual dimensioned. Dimensions in brackets are in millimeters.

DRAWING TITLE

TRANSFORMER

eiSos p/n: FKS750314727



PART NO.

FKS750314727

SPECIFICATION SHEET 1 OF 1