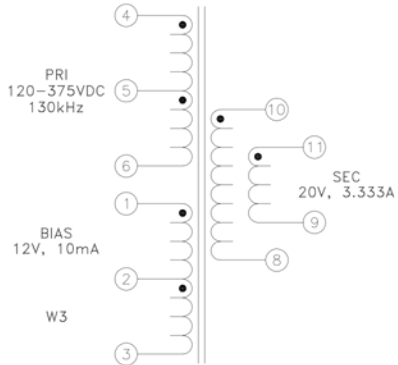
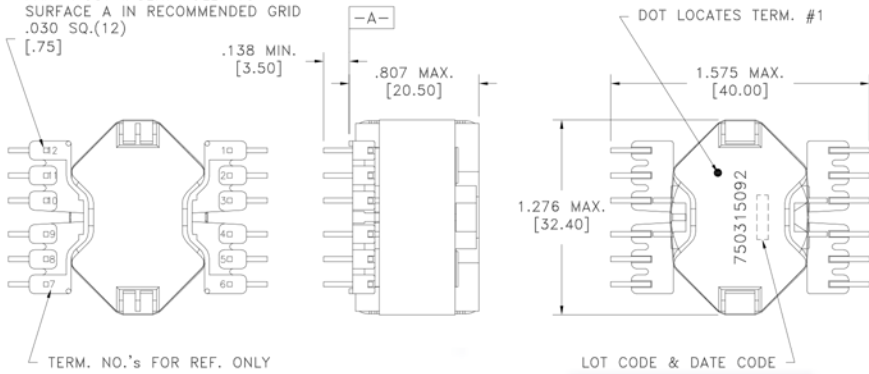


CUSTOMER TERMINAL	RoHS	LEAD(Pb)-FREE
Sn96%, Ag4%	Yes	Yes

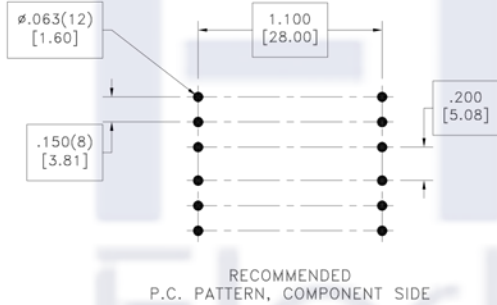


PART MUST INSERT FULLY TO SURFACE A IN RECOMMENDED GRID
.030 SQ.(12)
[.75]



Customer to tie terminals 8+9 & 10+11 internally on PC board.

Application of the transformer allows for the leadwires between terminals 8+9 & 10+11 to solder bridge.



ELECTRICAL SPECIFICATIONS @ 25°C unless otherwise noted:

PARAMETER	TEST CONDITIONS	VALUE
D.C. RESISTANCE	4-6 @20°C	0.085 ohms ±15%
D.C. RESISTANCE	1-2 @20°C	0.070 ohms ±15%
D.C. RESISTANCE	2-3 @20°C	0.070 ohms ±15%
D.C. RESISTANCE	11-8 tie(8+9, 10+11), @20°C	0.015 ohms max.
INDUCTANCE	4-6 10kHz, 100mVAC, Ls	200uH ±10%
SATURATION CURRENT	20% rolloff from initial	3.2A
LEAKAGE INDUCTANCE	4-6 tie(1+3, 8 thru 11), 100kHz, 100mVAC, Ls	2.0uH typ., 4.0uH max.
DIELECTRIC	6-11 tie(3+4, 8+9), 2000VAC, 1 second	-
DIELECTRIC	6-1 625VAC, 1 second	-
TURNS RATIO	(5-6):(4-5)	1:1, ±1%
TURNS RATIO	(4-6):(1-2)	11:1, ±1%
TURNS RATIO	(4-6):(2-3)	11:1, ±1%
TURNS RATIO	(4-6):(11-8), tie(8+9, 10+11)	5.5:1, ±1%

GENERAL SPECIFICATIONS:

OPERATING TEMPERATURE RANGE: -40°C to +125°C including temp rise.

Functional insulation only.

Wire insulation & RoHS status not affected by wire color.
Wire insulation color may vary depending on availability.

REV.	DATE	Packaging Specifications Method: Tray PKG-0028		Tolerances unless otherwise specified: Angles: ±1° Fractions: ±1/64 Decimals: ±.005 [.13] Footprint: ±.001 [.03]	DRAWING TITLE TRANSFORMER	PART NO. FKS750315092
6B	2/15			This drawing is dual dimensioned. Dimensions in brackets are in millimeters.	eiSos p/n: FKS750315092	
6A	2/15					SPECIFICATION SHEET 1 OF 1