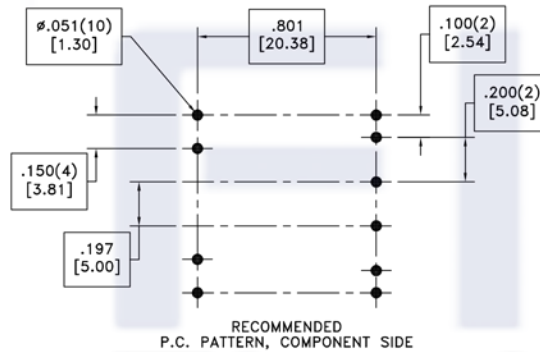
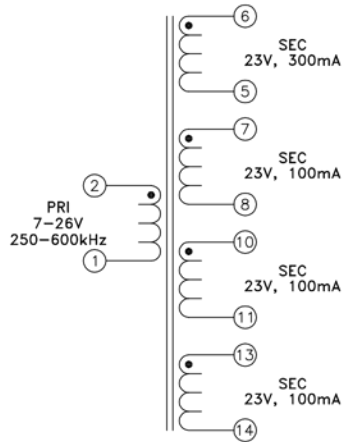
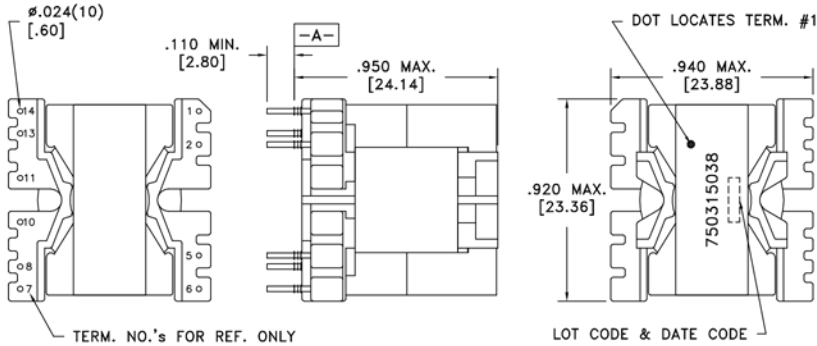


| | | |
|-------------------|------|---------------|
| CUSTOMER TERMINAL | RoHS | LEAD(Pb)-FREE |
| Sn96%, Ag4% | Yes | Yes |



PART MUST INSERT FULLY TO SURFACE A IN RECOMMENDED GRID



ELECTRICAL SPECIFICATIONS @ 25°C unless otherwise noted:

| PARAMETER | TEST CONDITIONS | VALUE |
|--------------------|---|--------------------|
| D.C. RESISTANCE | 2-1 @20°C | 0.042 ohms ±20% |
| D.C. RESISTANCE | 6-5 @20°C | 0.230 ohms ±10% |
| D.C. RESISTANCE | 7-8 @20°C | 0.506 ohms ±10% |
| D.C. RESISTANCE | 10-11 @20°C | 0.506 ohms ±10% |
| D.C. RESISTANCE | 13-14 @20°C | 0.506 ohms ±10% |
| INDUCTANCE | 2-1 10kHz, 100mVAC, Ls | 36.5uH ±10% |
| LEAKAGE INDUCTANCE | 2-1 tie(5+6, 7+8, 10+11, 13+14), 100kHz, 10mVAC, Ls | 300nH max. |
| DIELECTRIC | 1-14 tie(6+7+10+13), 4500VAC, 1 second | 3600VAC, 5 seconds |
| DIELECTRIC | 6-7 tie(7+10+13), 2250VAC, 1 second | 1800VAC, 5 seconds |
| DIELECTRIC | 8-10 tie(10+13), 2250VAC, 1 second | 1800VAC, 5 seconds |
| DIELECTRIC | 11-13 2250VAC, 1 second | 1800VAC, 5 seconds |
| TURNS RATIO | (6-5):(2-1) | 2.33:1, ±1% |
| TURNS RATIO | (6-5):(7-8) | 1:1, ±1% |
| TURNS RATIO | (6-5):(10-11) | 1:1, ±1% |
| TURNS RATIO | (6-5):(13-14) | 1:1, ±1% |

GENERAL SPECIFICATIONS:

OPERATING TEMPERATURE RANGE: -40°C to +125°C including temp rise.

Designed to comply with the following requirements as defined by IEC61800-5-1:

- Basic insulation for a primary circuit at a working voltage of 400Vrms, pollution degree 2.

Wire insulation & RoHS status not affected by wire color.
Wire insulation color may vary depending on availability.

| | | | | | | |
|------|------|--|--|--|-------------------------------------|--|
| REV. | DATE | Packaging Specifications Method: Tray PKG-0239 | | Tolerances unless otherwise specified: Angles: ±1° Fractions: ±1/64 Decimals: ±.005 [0.13] Footprint: ±.001 [0.03] | DRAWING TITLE TRANSFORMER | PART NO. FKS750315038 |
| 6A | 1/15 | | | This drawing is dual dimensioned. Dimensions in brackets are in millimeters. | eiSos p/n: FKS750315038 | compliant RoHS SPECIFICATION SHEET 1 OF 1 |