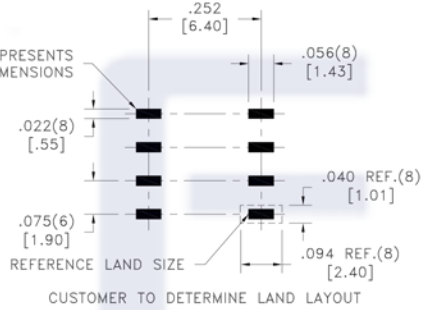
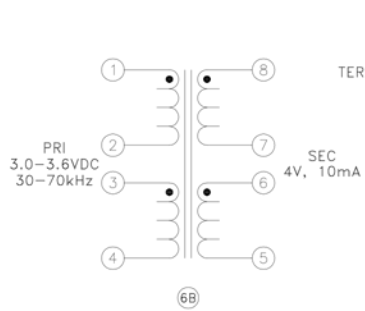
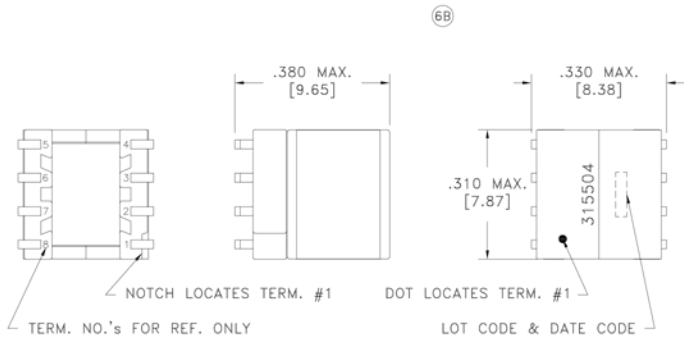


CUSTOMER TERMINAL	RoHS	LEAD(Pb)-FREE
Sn96%, Ag4%	Yes	Yes



ELECTRICAL SPECIFICATIONS @ 25°C unless otherwise noted:

PARAMETER	TEST CONDITIONS	VALUE
D.C. RESISTANCE	1-4 tie(2+3), @20°C	2.10 ohms max.
D.C. RESISTANCE	8-5 tie(6+7), @20°C	3.40 ohms max.
INDUCTANCE ¹	1-4 tie(2+3), 10kHz, 100mVAC, Ls	2.5mH min.
DIELECTRIC	1-8 tie(2+3, 6+7), 1875VAC, 1 second	1500VAC, 1 minute
URNS RATIO	(8-5):(1-4), tie(2+3, 6+7)	1.8:1, ±1%

¹Designed to meet the specification thru the operating temperature range.

GENERAL SPECIFICATIONS:

OPERATING TEMPERATURE RANGE: -40°C to +105°C.

Designed to comply with the following requirements as defined by IEC60950-1, EN60950-1, UL60950-1/CSA60950-1 and AS/NZS60950.1:
- Functional insulation for a primary circuit at a working voltage of 360VDC.

VOLTAGE-TIME: 50Vus, Based on Bsat at 105°C and number of turns across terminals 1-4.

Wire insulation & RoHS status not affected by wire color.
Wire insulation color may vary depending on availability.

DETAILS SUBJECT TO CHANGE

REV.	DATE	Packaging Specifications Method: Tape & Reel PKG-0981		Tolerances unless otherwise specified: Angles: ±1° Fractions: ±1/64 Decimals: ±.005 [.13] Footprint: ±.005 [.13]	DRAWING TITLE TRANSFORMER	PART NO. FKS750315504
6B	11/15			This drawing is dual dimensioned. Dimensions in brackets are in millimeters.	eiSos p/n: FKS750315504	
6A	5/15					SPECIFICATION SHEET 1 OF 1

