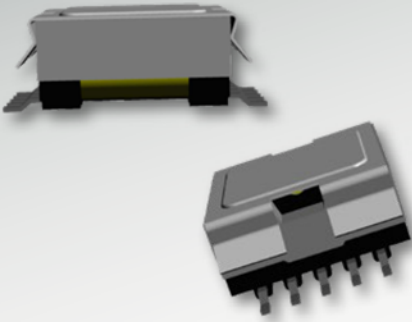


EFD15

10-Terminal, SMT, Horizontal



Characteristics

- Surface mount
- Pick & placeable
- Core direction: horizontal
- Functional insulation

Applications

- Lighting
- Metering
- PoE
- DC/DC converter
- Industrial controls
- White goods
- Telecom

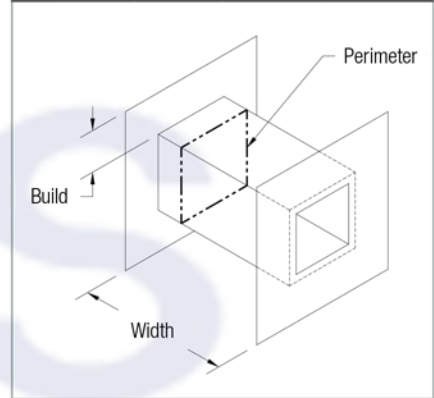
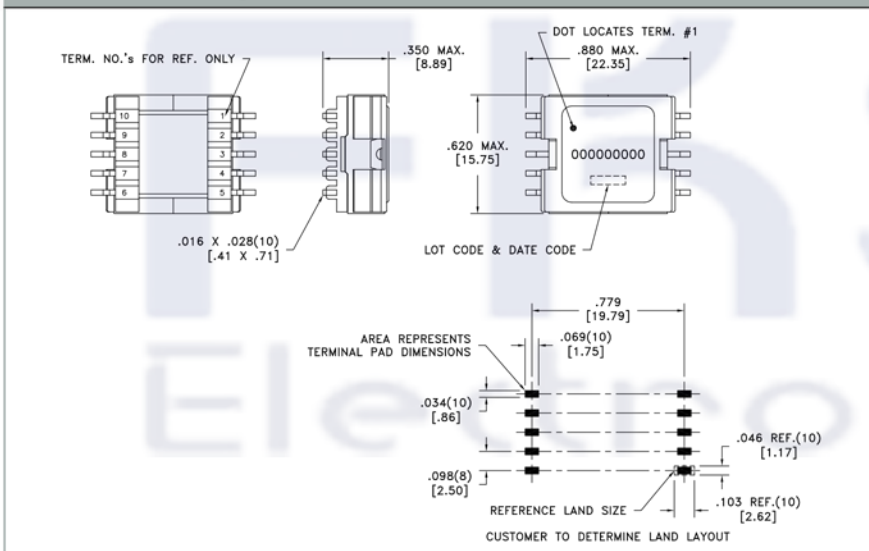
Core Data

Core Part Number	Area (A_c) (mm ²)	Path Length (L_p) (mm)	Volume (V_c) (mm ³)
150-2129	15.00	34.00	510.00

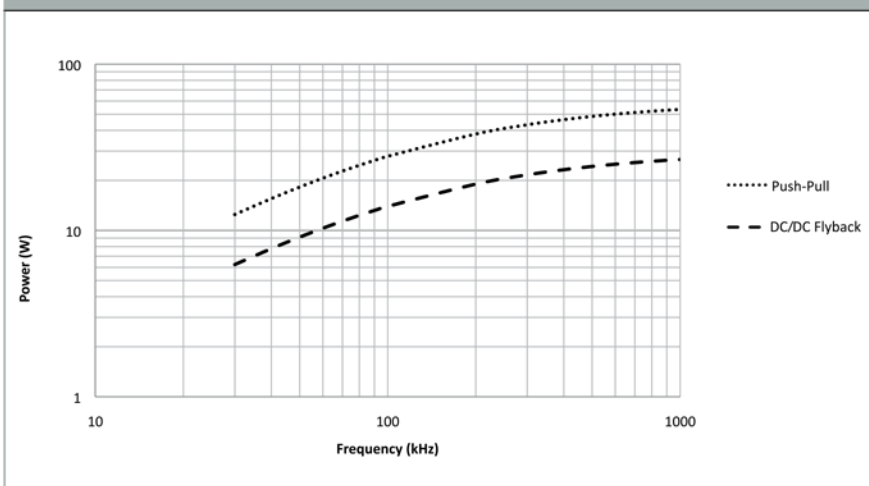
Bobbin Winding Area

Bobbin Part Number	Width (mm)	Build (mm)	Perimeter (mm)
070-5939	8.97	1.83	19.89

Dimensions & Footprint



Estimated Maximum Power Level



Models

A Altium Library

E Eagle Library

S STEP 3D Model

I IGS 3D Model

W WRL 3D Model