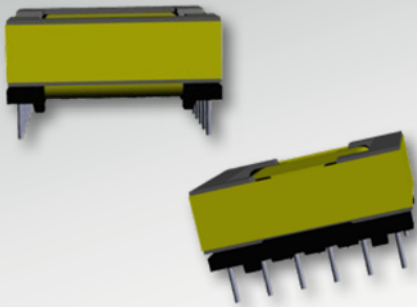


EFD30

12-Terminal, THT, Horizontal



Characteristics

- Through-hole
- Core direction: horizontal
- Functional insulation

Applications

- Lighting
- Metering
- PoE
- DC/DC converter
- Industrial controls
- White goods
- Telecom

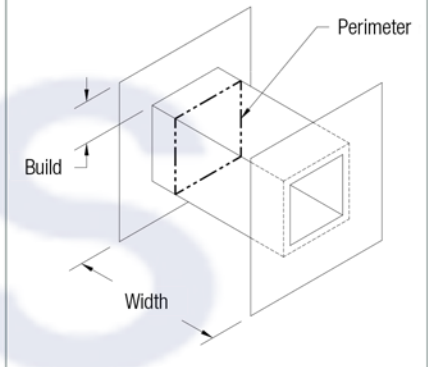
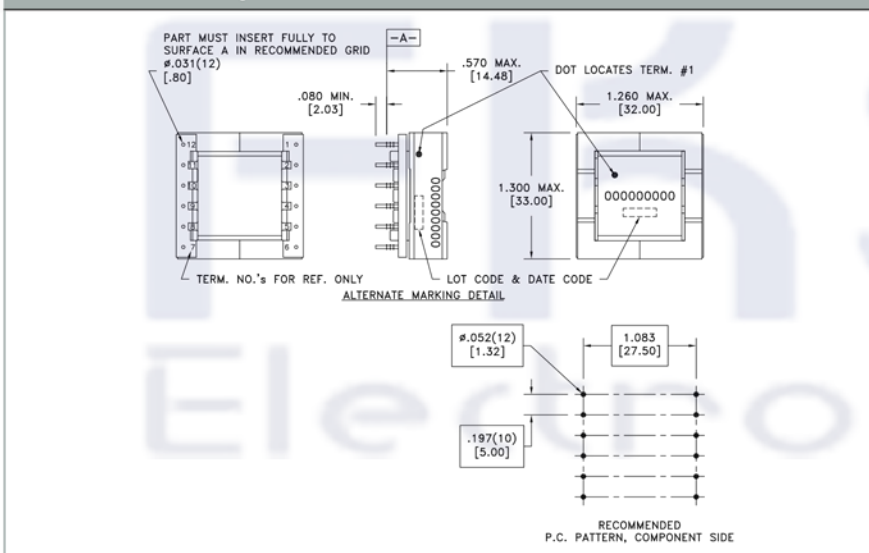
Core Data

Core Part Number	Area (A_c) (mm ²)	Path Length (L_c) (mm)	Volume (V_c) (mm ³)
150-2308	69.00	68.00	4692.00

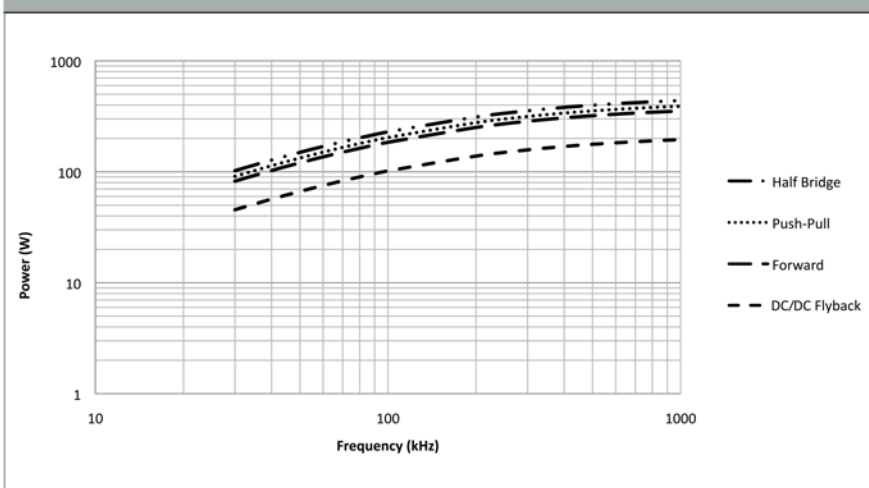
Bobbin Winding Area

Bobbin Part Number	Width (mm)	Build (mm)	Perimeter (mm)
070-5491	20.50	2.79	45.62

Dimensions & Footprint



Estimated Maximum Power Level



Models

- A** Altium Library
- E** Eagle Library
- S** STEP 3D Model
- I** IGS 3D Model
- W** WRL 3D Model